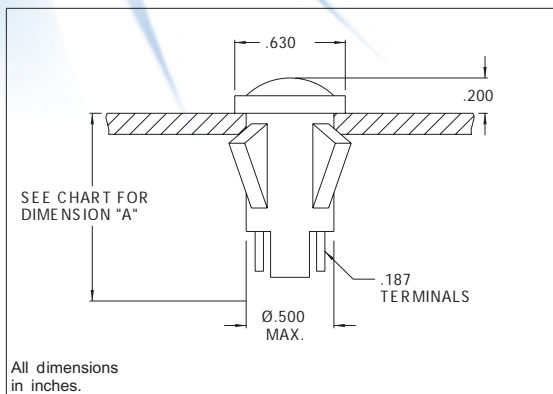


**1030QD, 1031QD, 1032QD and 1033QD Series Non-Relampable Neon Indicator Lights**

**DESCRIPTION AND FEATURES**



Mounting: Will snap-fit into Ø.500/.505 hole in panels .020/.100 thick. Push-on speednut SN0461 also available.  
 Mounting hole pattern on page SP2.

Terminals: Quick-connect, tinned brass

Lens: Polycarbonate

Bezel: Polished stainless steel.  
 For black finish add "X" after the series letter(s).

Housing: White Nylon

| Lens Color | Neon                      |                           |
|------------|---------------------------|---------------------------|
|            | Model No.<br>(105-125VAC) | Model No.<br>(208-250VAC) |
| Red        | 1030QD1                   | 1031Q D1                  |
| Amber      | 1030QD3                   | 1031QD 3                  |
| White      | 1030QD4                   | 1031QD 4                  |
| Green      | 1032QD5*                  | 1033QD 5*                 |
| Lamp used  | C 2A+Resistor             |                           |

\* Incorporates G2B lamp and resistor.  
 Underwriters Laboratories (UL) File No. E20325  
 Canadian Standards Association (CSA) File No. LR13346